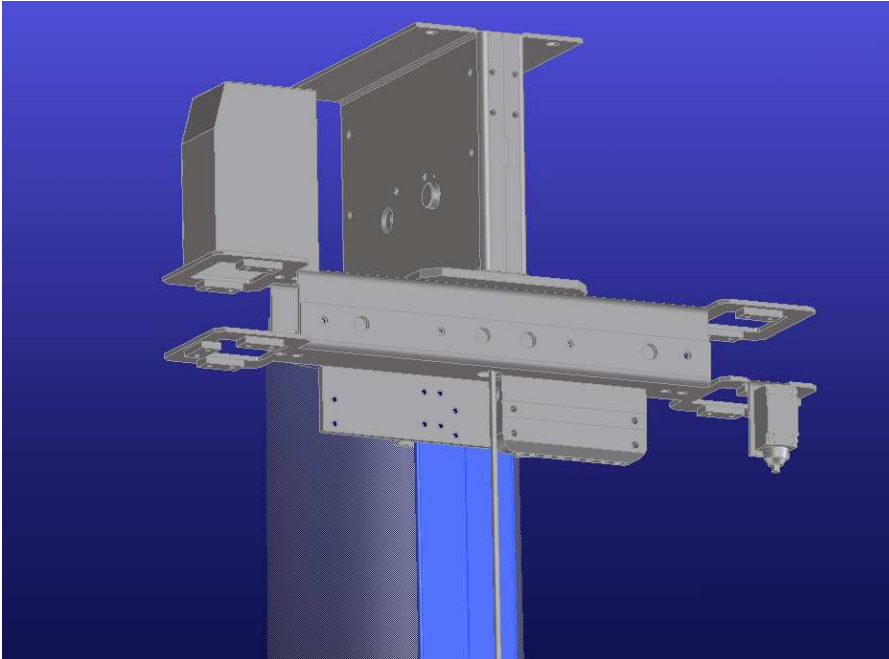
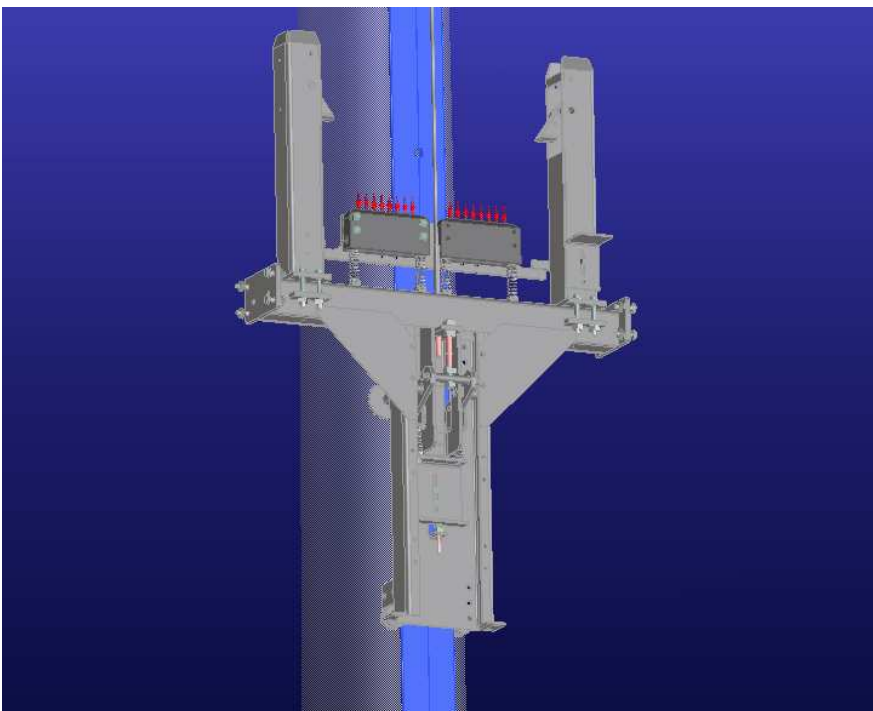


## Concept & Components

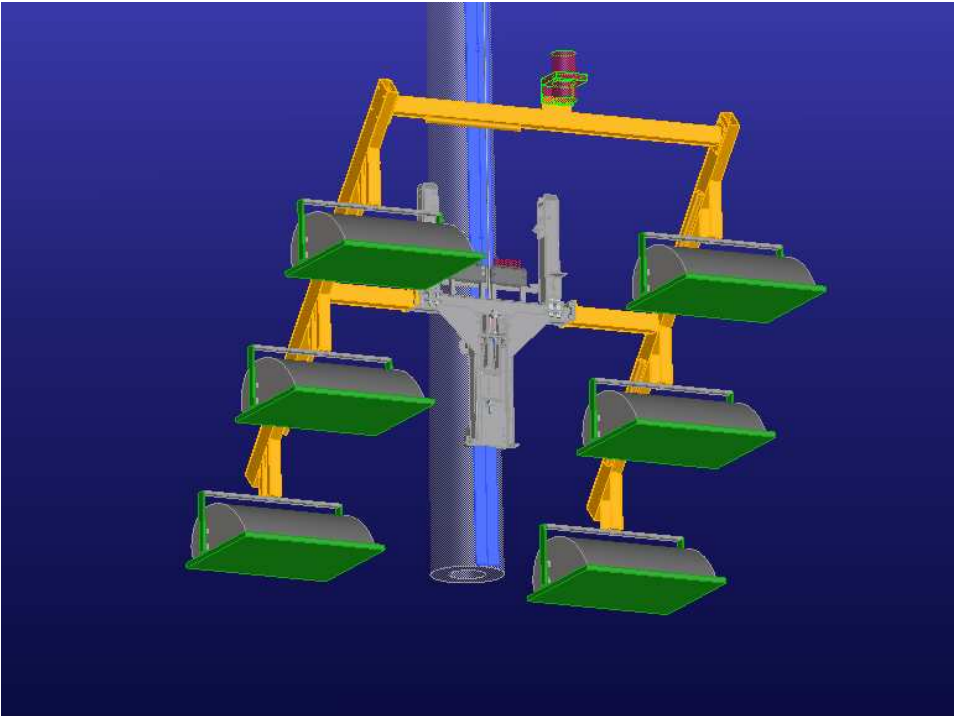
Headframe on mast



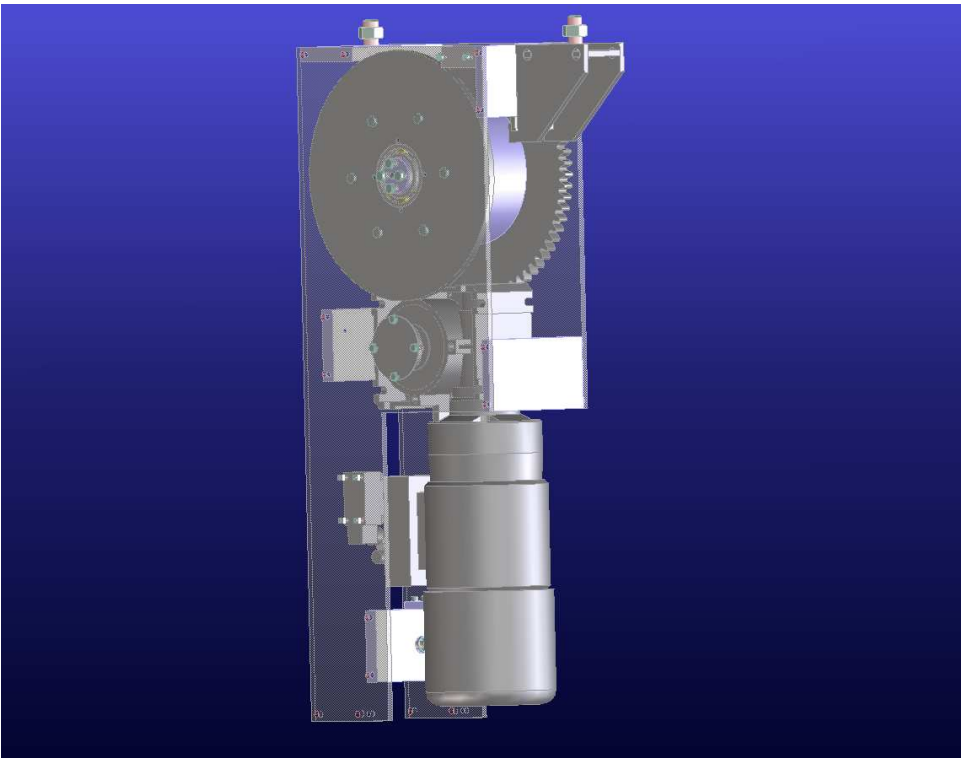
Rolling carriage



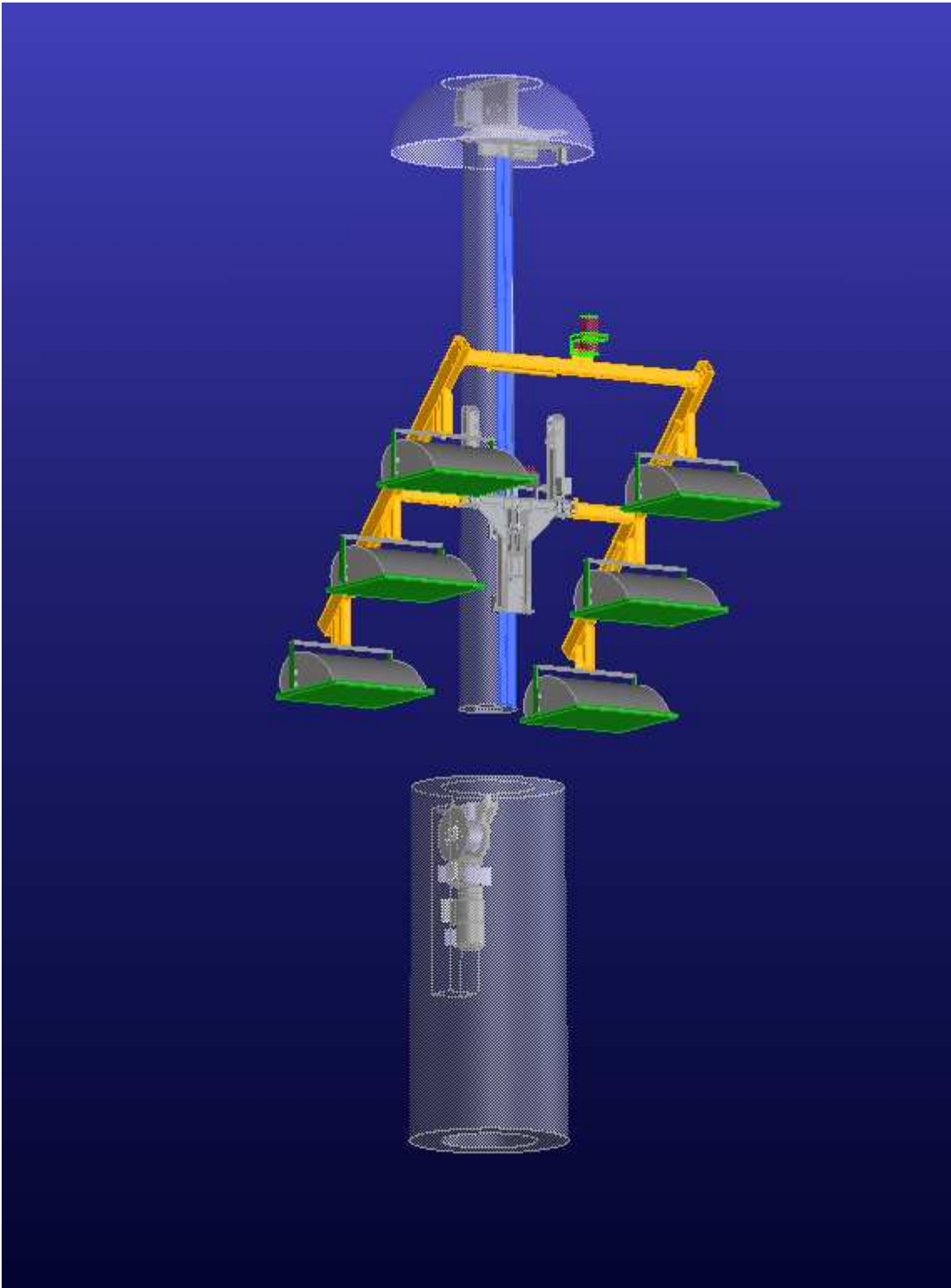
## Floodlight carrier



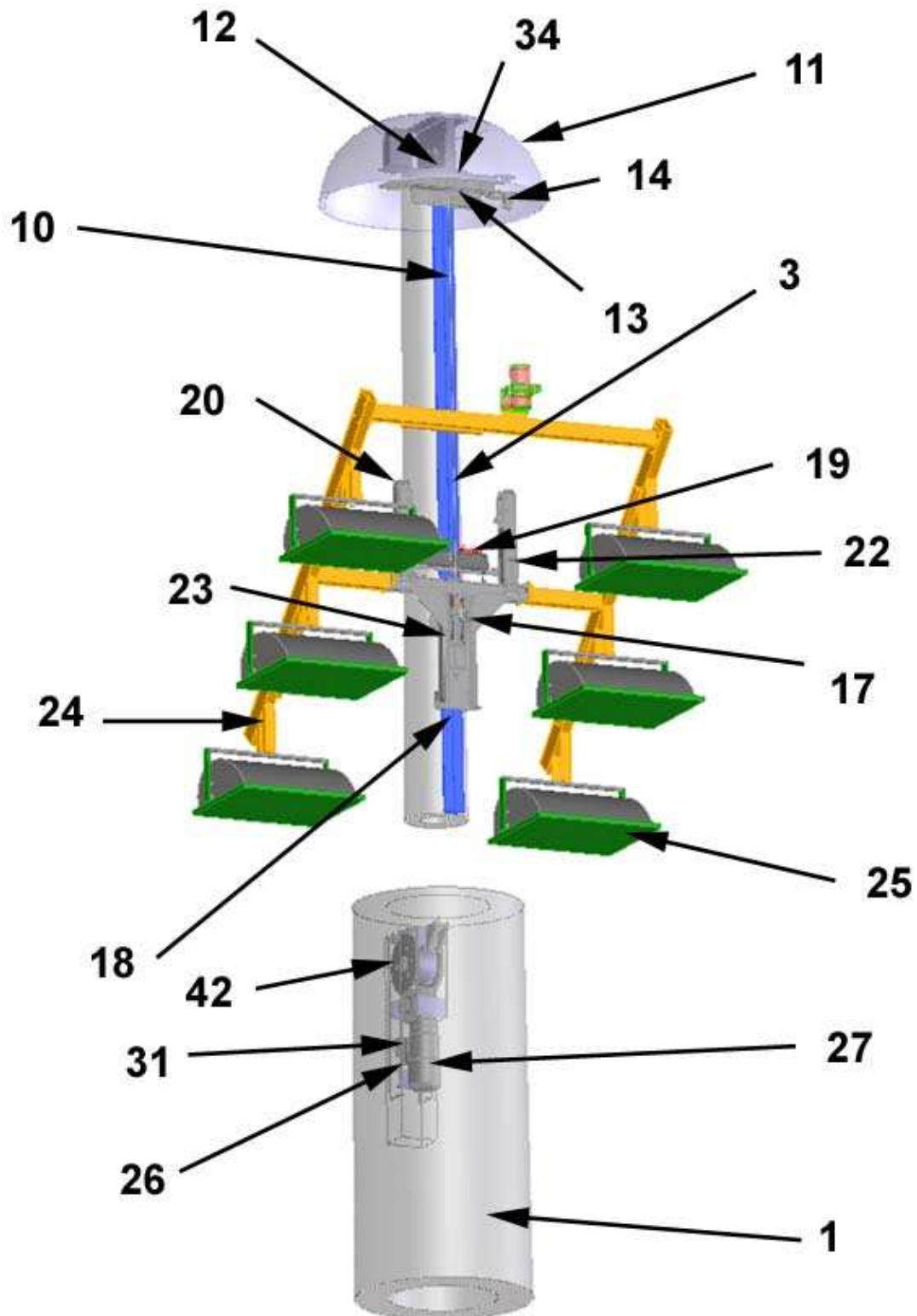
## Winch



## General view



# Components



## Legend

- 1 mast
- 3 guide Rail
- 10 steel wire rope
- 11 protection cover
- 12 headframe
- 13 top contacts – female
- 14 limit switch on masthead
- 17 rolling carriage
- 18 guide rollers
- 19 lower contacts – male
- 20 latching device
- 22 switch actuator
- 23 two brake levers
- 24 floodlight carrier
- 25 floodlights
- 26 winch
- 27 electrical motor
- 31 limit swicht “slack rope”
- 34 top plate
- 42 “slack rope device” at winch